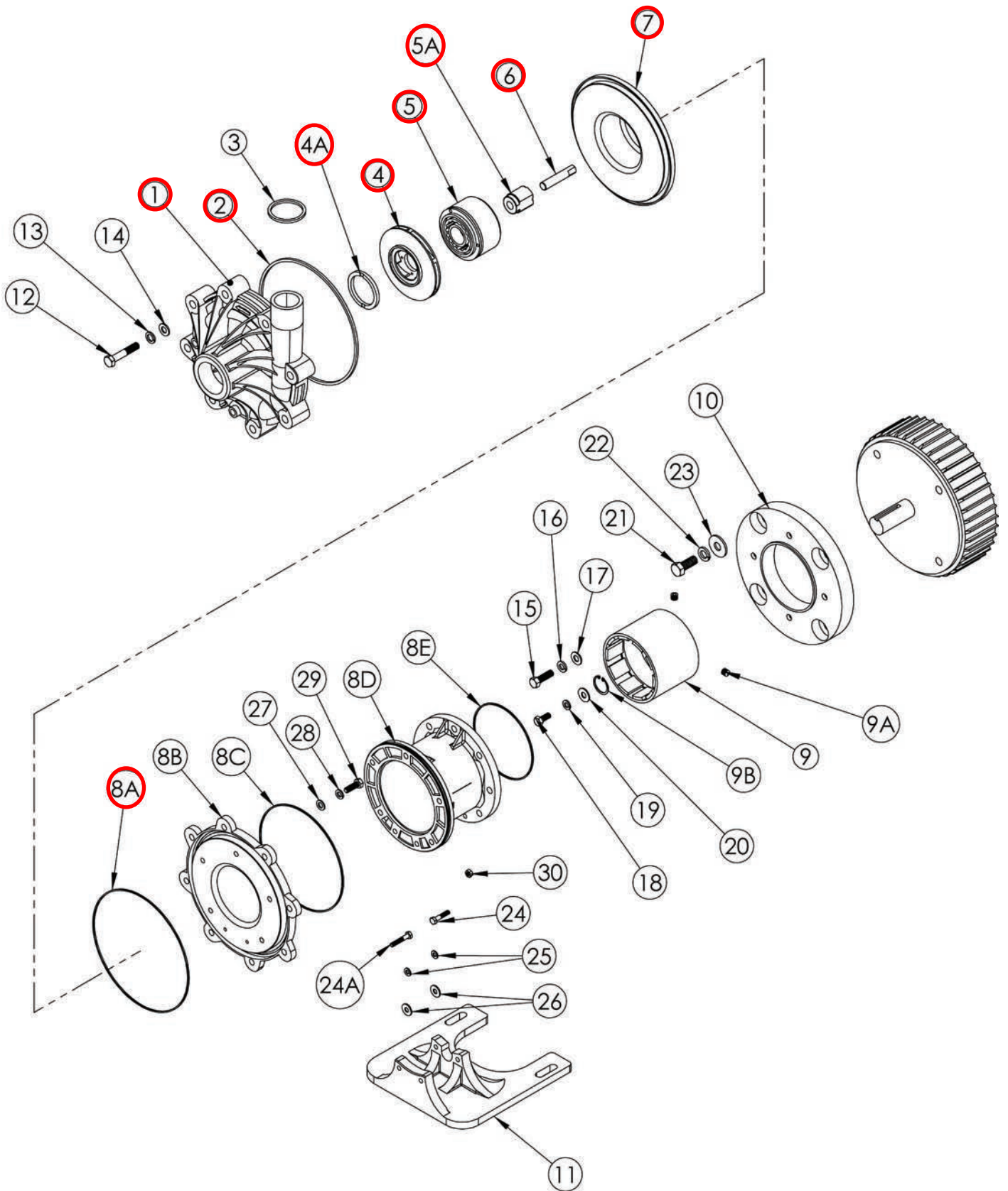


TDB11 / TDB15 Exploded View - Parts Diagram



Item	Qty	Description	TDB11		TDB15	
			Pump Material		Pump Material	
			Polypro	PVDF	Polypro	PVDF
1	1	Standard Housing with Ring				
		NPT threads & standard alumina ceramic ring	105688-1	105688-3	105739-1	105739-3
		BSP threads & standard alumina ceramic ring	105688-5	105688-7	105739-5	105739-7
		Steel flanges & std. alumina ceramic ring - ANSI150/PN20/40/JIS10K	105744-1	105744-2	105745-1	105745-2
		FRP flanges & std. alumina ceramic ring - ANSI150/PN20/40/JIS10K	105744-5	105744-6	105745-5	105745-6
		Union & standard alumina ceramic ring	105746-1	105746-3	105747-1	105747-3
		NPT threads & optional SiC ring	105903	105903-1	105904	105904-2
		BSP threads & optional SiC ring	105903-4	105903-5	105904-4	105904-6
		Steel flanges & optional SiC ring - ANSI150/PN20/40/JIS10K	105905	105905-1	105924	105924-1
		FRP flanges & optional SiC ring - ANSI150/PN20/40/JIS10K	105905-4	105905-5	105924-4	105924-5
Unions & optional SiC ring	105906	105906-2	105923	105923-2		
2	1	Housing O-ring				
		EPDM (optional)			105717	
		FKM (standard)			105716	
		Kalrez (optional)			105718	
		Simriz (optional)			105719	
3	1	Discharge O-ring (BSP Threaded Housings Only)				
		EPDM (optional)			105918	
		FKM (standard)			105919	
		Kalrez (optional)			105920	
		Simriz (optional)			105921	
4	1	Impeller Assembly with Thrust Ring				
		See DB11/15 Impeller Assemblies Table on pg 19				
4A	1	Impeller Thrust Ring Only				
		Filled PTFE (standard)			105694-1	
		Silicon Carbide (optional)			105694-3	
5	1	Impeller Drive Assembly				
		6-pole w/ carbon bushing	105913	105913-3	105913	105913-3
		8-pole w/ carbon bushing	105913-1	105913-4	105913-1	105913-4
		10-pole w/ carbon bushing	105913-2	105913-5	105913-2	105913-5
		6-pole w/ PTFE bushing	105913-6	105913-9	105913-6	105913-9
		8-pole w/ PTFE bushing	105913-7	105913-10	105913-7	105913-10
		10-pole w/ PTFE bushing	105913-8	105913-11	105913-8	105913-11
		6-pole w/ alumina ceramic bushing	105913-12	105913-15	105913-12	105913-15
		8-pole w/ alumina ceramic bushing	105913-13	105913-16	105913-13	105913-16
		10-pole w/ alumina ceramic bushing	105913-14	105913-17	105913-14	105913-17
		6-pole w/ silicon carbide bushing	105913-18	105913-21	105913-18	105913-21
		8-pole w/ silicon carbide bushing	105913-19	105913-22	105913-19	105913-22
		10-pole w/ silicon carbide bushing	105913-20	105913-23	105913-20	105913-23
5A	1	Impeller Bushing Only				
		Carbon (standard)			J100977	
		Filled PTFE (optional)			106386	
		Alumina Ceramic (optional)			106386-2	
		Silicon Carbide (optional)			106386-1	
6	1	Impeller Shaft				
		Alumina Ceramic (standard)			105811-1	
		Silicon Carbide (optional)			105811-2	
		Hastelloy C (optional)			105811-3	
7	1	Barrier	105689-1	105689-2	105689-1	105689-2

Item Qty	Description	TDB11		TDB15		
		Pump Material		Pump Material		
		Polypro	PVDF	Polypro	PVDF	
8	1	Motor Adapter Kits (includes items 8A - 8E plus hardware)				
		Standard motor adapter - all frame sizes	107405	107406	107405	107406
		Standard motor adapter w/ non-sparking ring - all frame sizes	107407	107408	107407	107408
		ATEX motor adapter w/ PVDF motor adapter & non-sparking ring - all frame sizes	N/A	107413	N/A	107413
Note: 182/184TC & all IEC frames MAY need to order motor adapter flange (item 10) and hardware (items 15-17 & 21-23)						
8A	1	Barrier/Clamp O-ring				
		Buna	107281			
		FKM	107279			
		EPDM	107280			
8B	1	Clamp Ring				
		Painted cast iron (Standard)	107228	107228-1	107228	107228-1
		Painted cast iron with non-sparking ring	107321	107321-1	107321	107321-1
		Painted cast iron (ATEX)	N/A	107321-1	N/A	107321-1
		Stainless steel	108600	108600	108600	108600
		Stainless steel with non-sparking ring	108600-1	108600-1	108600-1	108600-1
		Stainless steel (ATEX)	N/A	108600-1	N/A	108600-1
8C	1	Clamp Ring/Motor O-ring				
		Buna	107282			
		FKM	107283			
		EPDM	107284			
8D	1	Motor Adapter Column				
		Standard	106890	106890-1	106890	106890-1
		ATEX	N/A	106890-2	N/A	106890-2
8E	1	Motor Adapter Column/Motor O-ring (NEMA 56C/143/145TC motors only)				
		Buna	106549			
		FKM	106374			
		EPDM	106373			
9	1	Drive Magnet Assembly with Snap Ring				
		6-pole 56C frame (includes set screws)	105878			
		8-pole 56C frame (includes set screws)	105878-1			
		6-pole 143/145TC frame (includes set screws)	105878-3			
		8-pole 143/145TC frame (includes set screws)	105878-4			
		10-pole 182/184TC frame (includes set screws)	105730-9			
		6-pole 80 frame	105882			
		8-pole 80 frame	105882-1			
		6-pole 90 frame	105882-3			
		8-pole 90 frame	105882-4			
		10-pole 100/112 frame	105730-18			
9A	2	Set Screws				
		NEMA motor frames only				
		J101084				
9B	1	Snap Ring				
		56C frame	105708			
		143/145TC frame	105709			
		182/184TC frame	105710			
		80 frame	105711			
		90 frame	105712			
		100/112 frame	105710			

*Cast iron motor adapters have been upgraded to polypropylene effective August 2009. To upgrade, order one of the options in item 8 above. For IEC 80, 90, 100 & 112 B5 frames, you will also need one of the options in item 10.

Item	Qty	Description	TDB11		TDB15	
			Pump Material		Pump Material	
			Polypro	PVDF	Polypro	PVDF
10	1	Motor Adapter Flange				
		182/184TC frame	105751-1	105751-2	105751-1	105751-2
		80 frame B14	105724-1	105724-2	105724-1	105724-2
		90 frame B14	105725-1	105725-2	105725-1	105725-2
		100/112 frame B14	105726-1	105726-2	105726-1	105726-2
		80/90 frame B5	106274	106274-1	106274	106274-1
		100/112 frame B5	107315	107315-1	107315	107315-1
		80 frame B14 ATEX	N/A	105724-3	N/A	105724-3
		90 frame B14 ATEX	N/A	105725-3	N/A	105725-3
		100/112 frame B14 ATEX	N/A	105726-3	N/A	105726-3
		80/90 frame B5 ATEX	N/A	106274-2	N/A	106274-2
100/112 frame B5 ATEX	N/A	107315-1	N/A	107315-1		
11	1	Foot (Pumps with 100/112-B5 frames and flange do not come with a foot)				
		All frames sizes except 100/112	105691-1	105691-4	105691-1	105691-4
		100 frame with B14 flange only	105691-3	105691-6	105691-3	105691-6
		112 frame with B14 flange only	105691-2	105691-5	105691-2	105691-5

TDB11/15 Impeller Assemblies													
TDB11	Thrust Ring Material	Impeller Material	#1	#2	#3	#4	#5	#6	#7	#8	#9	#10	#11
						4.63"	4.38"	4.13"	3.88"	3.63"	5.25"	5.00"	4.75"
TDB11	PTFE	Polypro	105911	105911-4	105911-6	105911-8	105911-10	105911-2	105911-14	105911-16	105911-18	105911-20	105911-22
		PVDF	105911-1	105911-5	105911-7	105911-9	105911-11	105911-3	105911-15	105911-17	105911-19	105911-21	105911-23
	SiC	Polypro	105915	105915-4	105915-6	105915-8	105915-10	105915-2	105915-14	1205915-16	105915-18	105915-20	105915-22
		PVDF	105915-1	105915-5	105915-7	105915-9	105915-11	105915-3	105915-15	105915-17	105915-19	105915-21	105915-23
TDB15	Thrust Ring Material	Impeller Material	#1	#2	#3	#4	#5	#6	#7	#8	#9		
			5.13"	5.00"	4.75"	4.50"	4.25"	5.75"	5.50"	5.25"	5.00"		
	PTFE	Polypro	105911-12	105916	105916-4	105916-6	105916-8	105916-1	105916-10	105916-12	105916-14		
		PVDF	105911-13	105916-2	105916-5	105916-7	105916-9	105916-3	105916-11	105916-13	105916-15		
	SiC	Polypro	105915-12	105917	105917-4	105917-6	105917-8	105917-1	105917-10	105917-12	105917-14		
		PVDF	105915-13	105917-2	105917-5	105917-7	105917-9	105917-3	105917-11	105917-13	105917-15		

All impeller diameters listed in inches.