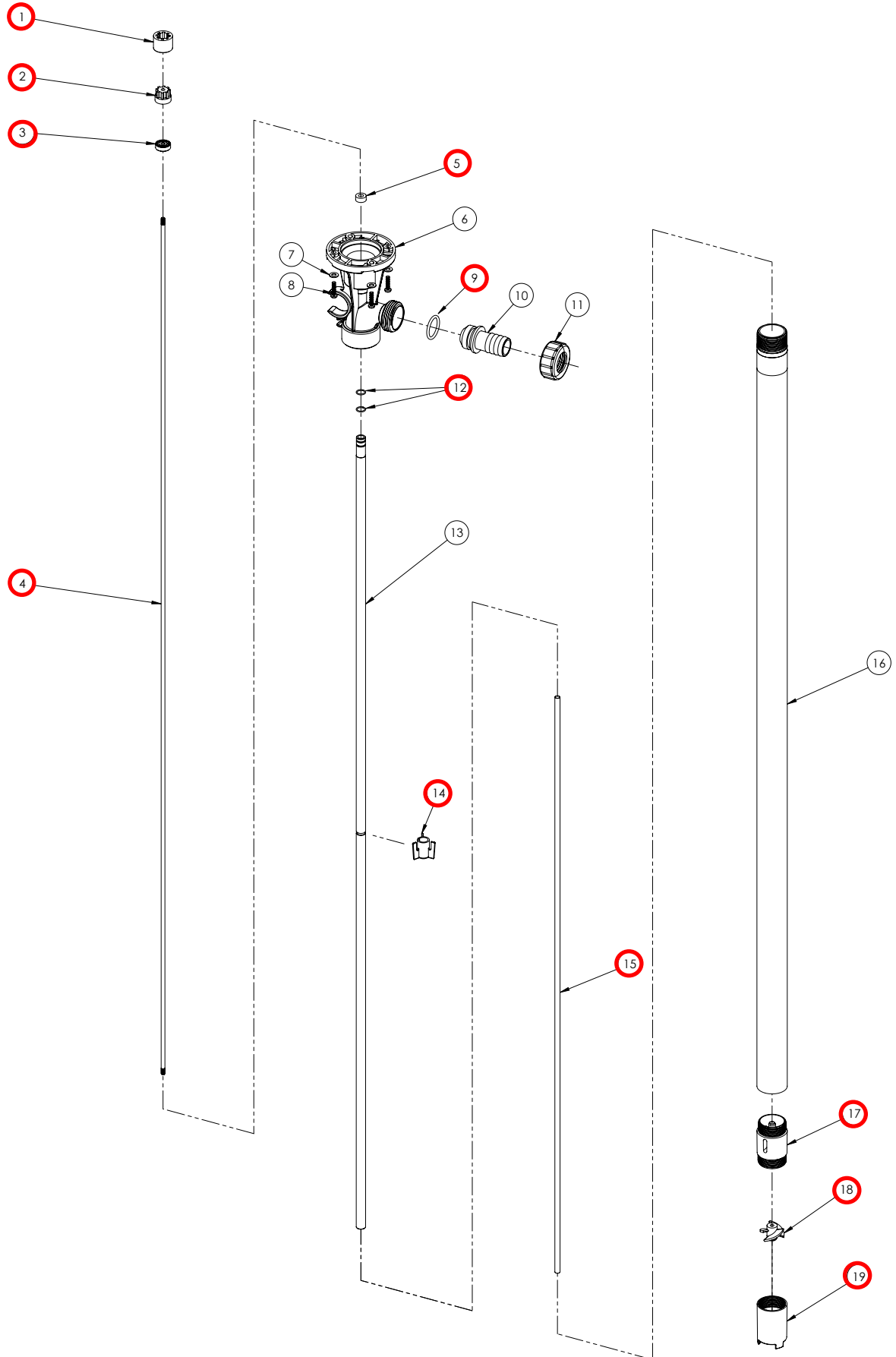


DPE-PP / DPE-PV



ITEM	QTY	DESCRIPTION	PART NUMBER		
			MODEL DPE-PP	MODEL DPE-PV	MODEL DPE-SS
*1	1	COUPLING INSERT			
			J103422	J103422	J103422
2	1	COUPLING HALF			
			107300	107300	107300
3	1	BEARING			
		AVAILABLE ONLY AS PART OF COUPLING HALF, BEARING & SHAFT ASSEMBLY			
4	1	SHAFT			
		AVAILABLE ONLY AS PART OF COUPLING HALF, BEARING & SHAFT ASSEMBLY			
*2,3,4	1	COUPLING HALF, BEARING & SHAFT ASSEMBLY			
		COUPLING HALF, BEARING & SHAFT - 16"	107589-1	107590-1	107589-1
		COUPLING HALF, BEARING & SHAFT - 27"	107589-2	107590-2	107589-2
		COUPLING HALF, BEARING & SHAFT - 40"	107589-3	107590-3	107589-3
		COUPLING HALF, BEARING & SHAFT - 48"	107589-4	107590-4	107589-4
		COUPLING HALF, BEARING & SHAFT - 54"	107589-5	107590-5	N/A
*5	1	SEAL			
		FKM (STANDARD)	107297	107297	107297
		PTFE (USED WITH PERLAST OR EPDM O-RINGS)	108701	108701	108701
6	1	PUMP HEAD			
		POLYPROPYLENE	107071-1	N/A	N/A
		PVDF	N/A	107071-2	N/A
7	4	FLAT WASHER			
		STAINLESS STEEL	J103601	J103601	N/A
8	4	HI-LOW SCREW			
		STAINLESS STEEL	J101020	J101020	J101020
*9	1	SPOUT O-RING			
		FKM (STANDARD)	106155	106155	N/A
		EPDM	106154	106154	N/A
10	1	SPOUT			
		POLYPROPYLENE - 3/4" Hose Barb	107072-1	N/A	N/A
		PVDF - 3/4" Hose Barb	N/A	107072-2	N/A
11	1	NUT			
		POLYPROPYLENE	107069-1	N/A	N/A
		PVDF	N/A	107069-2	N/A
*12	2	INNER TUBE O-RING			
		FKM (STANDARD)	107299	107299	107299
		EPDM	107729	107729	107729
		PERLAST	N/A	N/A	110001
13	1	INNER TUBE			
		16"	107294-1	107294-1	107578-1
		27"	107294-2	107294-2	107578-2
		40"	107294-3	107294-3	107578-3
		48"	107294-4	107294-4	107578-4
		54"	107294-5	107294-5	N/A
*14	1	CENTER SUPPORT			
		TEFZEL® (ETFE) - 40", 48", & 54" LENGTHS ONLY	107068	107068	N/A
*15	1	SHAFT SLEEVE - PTFE			
		16"	107293-1	107293-1	107293-1
		27"	107293-2	107293-2	107293-2
		40"	107293-3	107293-3	107293-3
		48"	107293-4	107293-4	107293-4
		54"	107293-5	107293-5	N/A
16	1	INTAKE TUBE (MODEL EFS INCLUDES PUMP HEAD)			
		16" with hose barb discharge	107295-1	107295-2	107580-1
		27" with hose barb discharge	107295-3	107295-4	107580-2
		40" with hose barb discharge	107295-5	107295-6	107580-3
		48" with hose barb discharge	107295-7	107295-8	107580-4
		54" with hose barb discharge	107295-9	107295-10	N/A
		16" with MNPT discharge	N/A	N/A	107580-5
		27" with MNPT discharge	N/A	N/A	107580-6
		40" with MNPT discharge	N/A	N/A	107580-7
48" with MNPT discharge	N/A	N/A	107580-8		
*17	1	DIFFUSER W/ PTFE DIFFUSER BUSHING			
			110079-1	110079-2	N/A

N/A = Not Applicable

ITEM	QTY	DESCRIPTION	PART NUMBER		
			MODEL EFP	MODEL EFV	MODEL EFS
17 [†] , 19 [†] , 20, 21	1	DIFFUSER KIT[†] (DIFFUSER, COVER, BUSHING, & O-RING)			
		316SS w / PTFE BUSHING & FKM O-RINGS	N/A	N/A	110115
		316SS w / PTFE BUSHING & PERLAST O-RINGS	N/A	N/A	110116
		316SS w / PTFE BUSHING & EPDM O-RINGS	N/A	N/A	110117
18	1	IMPELLER			
		POLYPROPYLENE	107067-1	N/A	N/A
		TEFZEL® (ETFE)	N/A	107067-2	107067-2
19	1	DIFFUSER COVER			
			110080-1	110080-2	107584
20	1	DIFFUSER BUSHING ONLY			
		PTFE	N/A	N/A	107585
*21	2	DIFFUSER O-RING			
		FKM (STANDARD)	N/A	N/A	107586
		EPDM	N/A	N/A	107766
		PERLAST	N/A	N/A	110002
22	1	GROUNDING SCREW			
		BRASS	N/A	N/A	J100822
23	1	GROUNDING SCREW LOCKWASHER			
		BRASS	N/A	N/A	J100823

N/A = Not Applicable

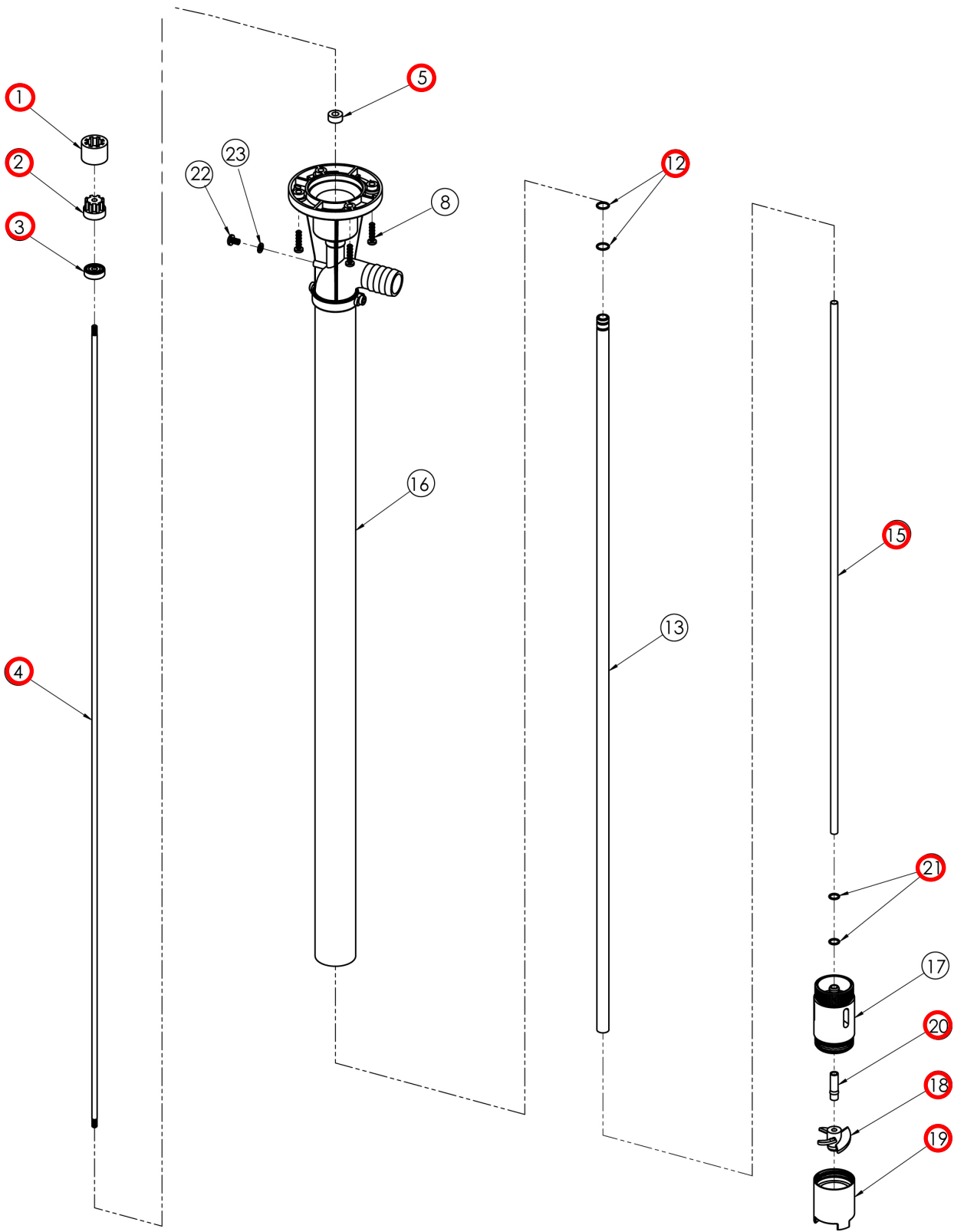
* Recommended Spare Parts

** Item 20 is included in the diffuser (item 17). Diffuser bushing is offered as a separate item for the EFS only.

[†] Item number 17 and 19 sold as part of a kit only to ensure proper fit. Item 20 and 21 are available as part of kit or separately.

Tefzel® is a registered trademark of the DuPont Company.

DPE-SS



ITEM	QTY	DESCRIPTION	PART NUMBER		
			MODEL DPE-PP	MODEL DPE-PV	MODEL DPE-SS
*1	1	COUPLING INSERT			
			J103422	J103422	J103422
2	1	COUPLING HALF			
			107300	107300	107300
3	1	BEARING			
		AVAILABLE ONLY AS PART OF COUPLING HALF, BEARING & SHAFT ASSEMBLY			
4	1	SHAFT			
		AVAILABLE ONLY AS PART OF COUPLING HALF, BEARING & SHAFT ASSEMBLY			
*2,3,4	1	COUPLING HALF, BEARING & SHAFT ASSEMBLY			
		COUPLING HALF, BEARING & SHAFT - 16"	107589-1	107590-1	107589-1
		COUPLING HALF, BEARING & SHAFT - 27"	107589-2	107590-2	107589-2
		COUPLING HALF, BEARING & SHAFT - 40"	107589-3	107590-3	107589-3
		COUPLING HALF, BEARING & SHAFT - 48"	107589-4	107590-4	107589-4
		COUPLING HALF, BEARING & SHAFT - 54"	107589-5	107590-5	N/A
*5	1	SEAL			
		FKM (STANDARD)	107297	107297	107297
		PTFE (USED WITH PERLAST OR EPDM O-RINGS)	108701	108701	108701
6	1	PUMP HEAD			
		POLYPROPYLENE	107071-1	N/A	N/A
		PVDF	N/A	107071-2	N/A
7	4	FLAT WASHER			
		STAINLESS STEEL	J103601	J103601	N/A
8	4	HI-LOW SCREW			
		STAINLESS STEEL	J101020	J101020	J101020
*9	1	SPOUT O-RING			
		FKM (STANDARD)	106155	106155	N/A
		EPDM	106154	106154	N/A
10	1	SPOUT			
		POLYPROPYLENE - 3/4" Hose Barb	107072-1	N/A	N/A
		PVDF - 3/4" Hose Barb	N/A	107072-2	N/A
11	1	NUT			
		POLYPROPYLENE	107069-1	N/A	N/A
		PVDF	N/A	107069-2	N/A
*12	2	INNER TUBE O-RING			
		FKM (STANDARD)	107299	107299	107299
		EPDM	107729	107729	107729
		PERLAST	N/A	N/A	110001
13	1	INNER TUBE			
		16"	107294-1	107294-1	107578-1
		27"	107294-2	107294-2	107578-2
		40"	107294-3	107294-3	107578-3
		48"	107294-4	107294-4	107578-4
		54"	107294-5	107294-5	N/A
*14	1	CENTER SUPPORT			
		TEFZEL® (ETFE) - 40", 48", & 54" LENGTHS ONLY	107068	107068	N/A
*15	1	SHAFT SLEEVE - PTFE			
		16"	107293-1	107293-1	107293-1
		27"	107293-2	107293-2	107293-2
		40"	107293-3	107293-3	107293-3
		48"	107293-4	107293-4	107293-4
		54"	107293-5	107293-5	N/A
16	1	INTAKE TUBE (MODEL EFS INCLUDES PUMP HEAD)			
		16" with hose barb discharge	107295-1	107295-2	107580-1
		27" with hose barb discharge	107295-3	107295-4	107580-2
		40" with hose barb discharge	107295-5	107295-6	107580-3
		48" with hose barb discharge	107295-7	107295-8	107580-4
		54" with hose barb discharge	107295-9	107295-10	N/A
		16" with MNPT discharge	N/A	N/A	107580-5
		27" with MNPT discharge	N/A	N/A	107580-6
		40" with MNPT discharge	N/A	N/A	107580-7
48" with MNPT discharge	N/A	N/A	107580-8		
*17	1	DIFFUSER W/ PTFE DIFFUSER BUSHING			
			110079-1	110079-2	N/A

N/A = Not Applicable

ITEM	QTY	DESCRIPTION	PART NUMBER		
			MODEL EFP	MODEL EFV	MODEL EFS
17 [†] , 19 [†] , 20, 21	1	DIFFUSER KIT[†] (DIFFUSER, COVER, BUSHING, & O-RING)			
		316SS w / PTFE BUSHING & FKM O-RINGS	N/A	N/A	110115
		316SS w / PTFE BUSHING & PERLAST O-RINGS	N/A	N/A	110116
		316SS w / PTFE BUSHING & EPDM O-RINGS	N/A	N/A	110117
18	1	IMPELLER			
		POLYPROPYLENE	107067-1	N/A	N/A
		TEFZEL® (ETFE)	N/A	107067-2	107067-2
19	1	DIFFUSER COVER			
			110080-1	110080-2	107584
*20	1	DIFFUSER BUSHING ONLY**			
		PTFE	N/A	N/A	107585
22	2	DIFFUSER O-RING			
		FKM (STANDARD)	N/A	N/A	107586
		EPDM	N/A	N/A	107766
		PERLAST	N/A	N/A	110002
22	1	GROUNDING SCREW			
		BRASS	N/A	N/A	J100822
23	1	GROUNDING SCREW LOCKWASHER			
		BRASS	N/A	N/A	J100823

N/A = Not Applicable

* Recommended Spare Parts

** Item 20 is included in the diffuser (item 17). Diffuser bushing is offered as a separate item for the EFS only.

[†] Item number 17 and 19 sold as part of a kit only to ensure proper fit. Item 20 and 21 are available as part of kit or separately.

Tefzel® is a registered trademark of the DuPont Company.