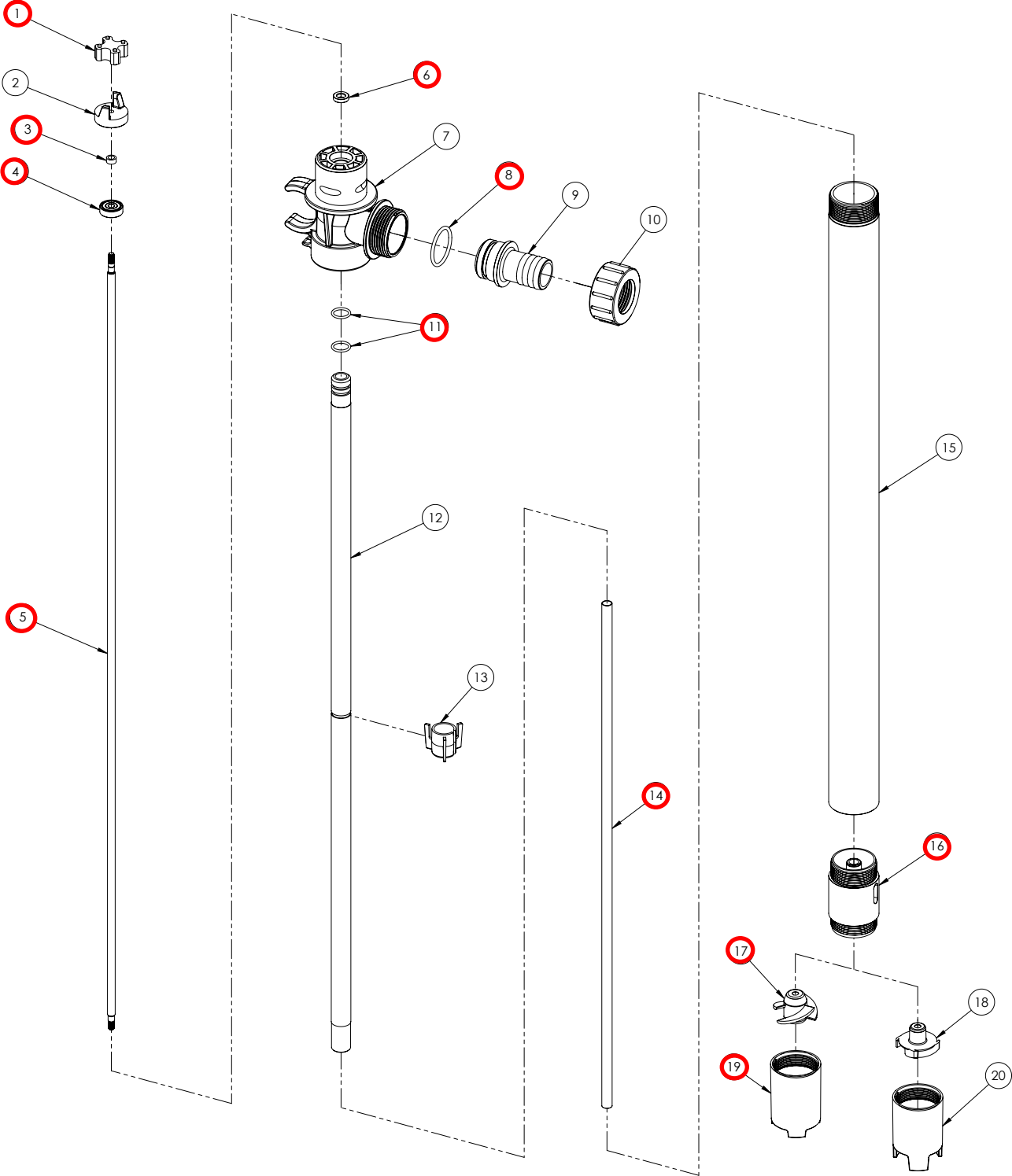


DPA PP-PV



PUMP SPARE PARTS LIST

ITEM	QTY	DESCRIPTION	PART NUMBER				
					MODEL DPA-PP		MODEL DPA-PF
*1	1	COUPLING INSERT					
			J100014	J100014	J100014	J100014	J100014
2	1	COUPLING HALF					
			111058	111058	111058	111058	111058
3	1	SPACER BUSHING					
			111201	111201	111201	111201	111201
*4	1	BEARING					
			111057	111057	111057	111057	111057
5	1	SHAFT (SFM/SFM-DEF = 316SS) (SFP/SFV/SFVV = ALLOY 625)					
		27"	111202-1	111202-1	111202-2	111202-2	111202-2
		40"	111202-3	111202-3	111202-4	111202-4	111202-4
		48"	111202-5	111202-5	111202-6	111202-6	111202-6
		54"	111202-7	111202-7	111202-8	111202-8	111202-8
		60"	111202-9	111202-9	111202-10	111202-10	111202-10
		72"	111202-11	111202-11	111202-12	111202-12	111202-12
*6	1	SEAL					
		FKM (STANDARD)	107592	107592	107592	107592	107592
7	1	HEAD					
		POLYPROPYLENE	111203-1	111203-1	111203-1	N/A	N/A
		PVDF	N/A	N/A	N/A	111203-2	111203-2
*8	1	O-RING, DISCHARGE SPOUT					
		FKM	109526	N/A	109526	109526	109526
		EPDM	N/A	109525	N/A	N/A	N/A
9	1	DISCHARGE SPOUT					
		POLYPROPYLENE, 1" BARB-STANDARD	111204-1	N/A	111204-1	N/A	N/A
		POLYPROPYLENE, 3/4" BARB-STANDARD	N/A	111367-1	N/A	N/A	N/A
		POLYPROPYLENE, 1" MNPT KIT (INCLUDES NUT)-OPTIONAL	111376-1	111376-1	111376-1	N/A	N/A
		POLYPROPYLENE, 3/4" MGHT (GARDEN HOSE FITTING) - OPTIONAL	111377-1	111377-1	111377-1	N/A	N/A
		PVDF, 1" BARB-STANDARD	N/A	N/A	N/A	111204-2	111204-2
		PVDF, 3/4" BARB-OPTIONAL	N/A	N/A	N/A	111367-2	111367-2
		PVDF, 1" MNPT KIT (INCLUDES NUT)-OPTIONAL	N/A	N/A	N/A	111376-2	111376-2
PVDF, 3/4" MGHT(GARDEN HOSE FITTING) - OPTIONAL	N/A	N/A	N/A	111377-2	111377-2		
10	1	NUT					
		POLYPROPYLENE	111205-1	111205-1	111205-1	N/A	N/A
		PVDF	N/A	N/A	N/A	111205-2	111205-2
*11	2	O-RING, INNER TUBE					
		VITON	J100249	N/A	J100249	J100249	J100249
		EPDM	N/A	106519	N/A	N/A	N/A

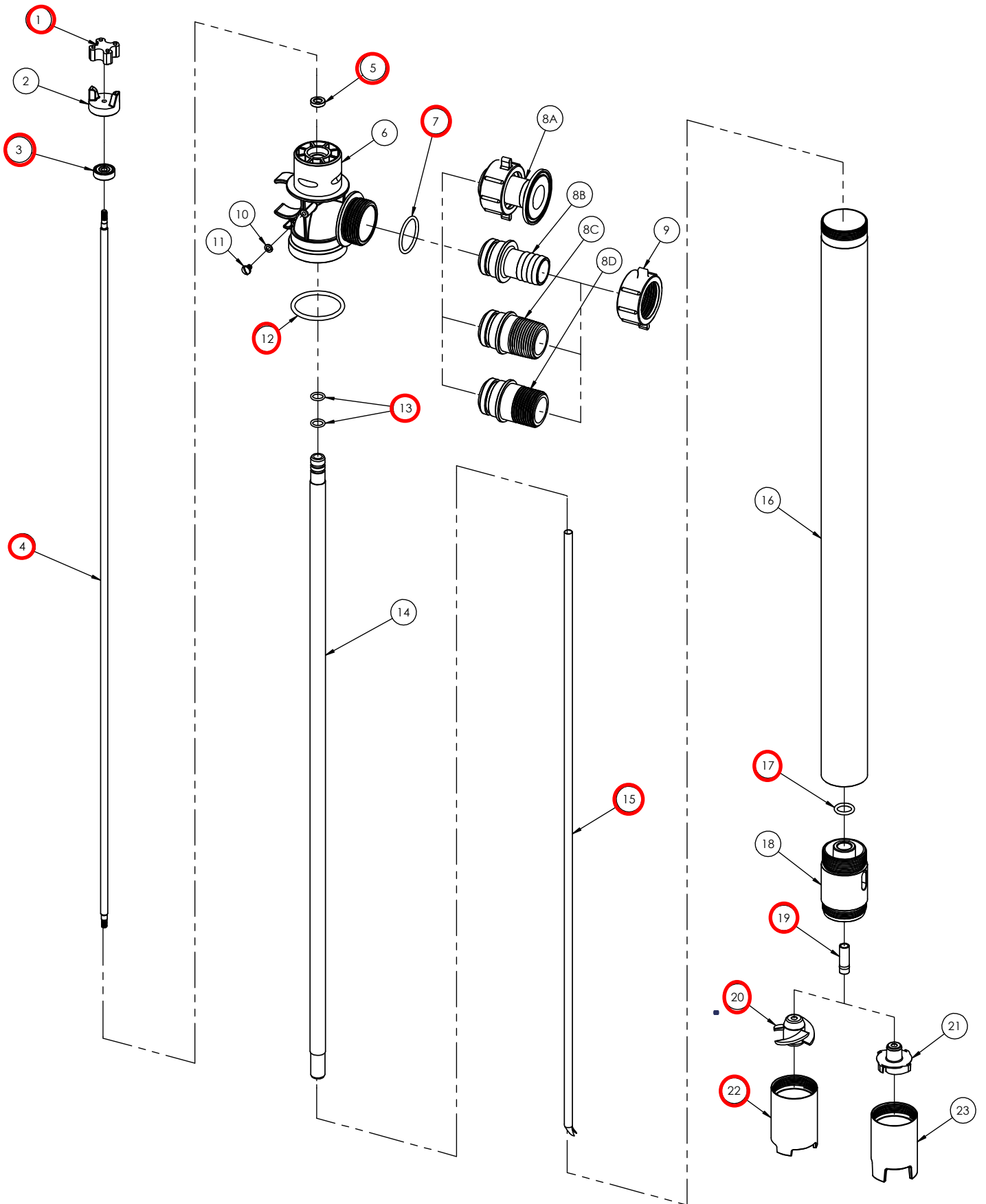
PUMP SPARE PARTS LIST

ITEM	QTY	DESCRIPTION	PART NUMBER					
			MODEL SFM	MODEL SFM-DEF	MODEL SFP	MODEL SFV	MODEL SFVV	
12	1	INNER TUBE (SFM/SFM-DEF/SFP/SFV = POLYPROPYLENE) (SFVV = PVDF)						
		27"	108373-2	108373-2	108373-2	108373-2	108373-7	
		40"	108373-3	108373-3	108373-3	108373-3	108373-8	
		48"	108373-4	108373-4	108373-4	108373-4	108373-9	
		54"	108373-12	108373-12	108373-12	108373-12	108373-13	
		60"	108373-5	108373-5	108373-5	108373-5	108373-10	
		72"	108373-6	108373-6	108373-6	108373-6	108373-11	
13	1 (27"-48") 2 (60") 3 (72")	CENTER SUPPORT						
		POLYPROPYLENE	111206-1	111206-1	111206-1	111206-1	N/A	
		ETFE	N/A	N/A	N/A	N/A	111206-2	
*14	1	SHAFT SLEEVE (PTFE)						
		27"	108375-2	108375-2	108375-2	108375-2	108375-2	
		40"	108375-3	108375-3	108375-3	108375-3	108375-3	
		48"	108375-4	108375-4	108375-4	108375-4	108375-4	
		54"	108375-7	108375-7	108375-7	108375-7	108375-7	
		60"	108375-5	108375-5	108375-5	108375-5	108375-5	
		72"	108375-6	108375-6	108375-6	108375-6	108375-6	
15	1	OUTER TUBE (SFM/SFM-DEF/SFP/SFV = POLYPROPYLENE) (SFVV = PVDF)						
		27"	111208-1	111208-1	111208-1	111208-7	111208-13	
		40"	111208-2	111208-2	111208-2	111208-8	111208-14	
		48"	111208-3	111208-3	111208-3	111208-9	111208-15	
		54"	111208-4	111208-4	111208-4	111208-10	111208-16	
		60"	111208-5	111208-5	111208-5	111208-11	111208-17	
		72"	111208-6	111208-6	111208-6	111208-12	111208-18	
*16	1	DIFFUSER W/ PTFE BUSHING						
		POLYPROPYLENE	111209-1	111209-1	111209-1	N/A	N/A	
		PVDF	N/A	N/A	N/A	111209-2	111209-2	
*17	1	IMPELLER - HIGH FLOW (FOR USE WITH "DIFFUSER COVER - HIGH FLOW")						
		POLYPROPYLENE	111210-1	111210-1	111210-1	N/A	N/A	
		ETFE	N/A	N/A	N/A	111210-2	111210-2	
*18	1	IMPELLER - HIGH HEAD (FOR USE WITH "DIFFUSER COVER - HIGH HEAD")						
		POLYPROPYLENE	111211-1	111211-1	111211-1	N/A	N/A	
		ETFE	N/A	N/A	N/A	111211-2	111211-2	

ITEM	QTY	DESCRIPTION	PART NUMBER					
			MODEL SFM	MODEL SFM-DEF	MODEL SFP	MODEL SFV	MODEL SFVV	
*19	1	DIFFUSER COVER - HIGH FLOW						
		POLYPROPYLENE	111212-1	111212-1	111212-1	N/A	N/A	
		PVDF	N/A	N/A	N/A	111212-2	111212-2	
*20	1	DIFFUSER COVER - HIGH HEAD						
		POLYPROPYLENE	111213-1	111213-1	111213-1	N/A	N/A	
		PVDF	N/A	N/A	N/A	111213-2	111213-2	

*Recommended spare parts

DPA SS



PUMP SPARE PARTS LIST

ITEM	QTY	DESCRIPTION	PART NUMBER	
			MODEL DPA-SS	
1*	1	COUPLING INSERT		
		RUBBER		J100014
2	1	COUPLING HALF		
		ALUMINUM		111530
3*	1	BEARING		
		STEEL		111057
4	1	SHAFT (316 STAINLESS STEEL)		
		27"		111202-1
		40"		111202-3
		48"		111202-5
		54"		111202-7
		60"		111202-9
		72"		111202-11
5*	1	SEAL		
		FKM (STANDARD)		107592
		PTFE (-FF or -P MODELS)		107622
6	1	HEAD		
		316 STAINLESS STEEL		111500
7*	1	O-RING, DISCHARGE SPOUT		
		FKM (STANDARD)		109526
		FFKM (-FF MODELS)		111501
		FDA FFKM (-P MODELS)		111502
		FDA BUNA (-B MODELS)		111503
8A 8B 8C 8D	1	DISCHARGE SPOUT (316 STAINLESS STEEL)		
		1" TRI-CLAMP (INCLUDES NUT) (-TC MODELS)		111505
		1" BARB (DN 25) (STANDARD)		111506
		1" NPT (-MT MODELS)		111507
		1" BSPP (-BSP MODELS)		111521
9	1	NUT		
		316 STAINLESS STEEL		111508
10	1	LOCK WASHER		
		#8 BRASS		J100823
11	1	SCREW		
		#8-32 x 1/4 BRASS PAN HEAD		J100822
12*	1	O-RING, OUTER TUBE		
		FKM (STANDARD)		105080
		FFKM (-FF MODELS)		111509
		FDA FFKM (-P MODELS)		111510
		FDA BUNA (-B MODELS)		108069

PUMP SPARE PARTS LIST

ITEM	QTY	DESCRIPTION	PART NUMBER		
			MODEL DPA-SS		
13*	2	O-RING, INNER TUBE			
		FKM (STANDARD)		J100018	
		FFKM (-FF MODELS)		111511	
		FDA FFKM (-P MODELS)		105620	
		FDA BUNA (-B MODELS)		108197	
14	1	INNER TUBE (316 STAINLESS STEEL)			
		27"		107616-1	
		40"		107616-2	
		48"		107616-3	
		54"		107616-7	
		60"		111512-1	
		72"		111512-2	
15*	1	SHAFT SLEEVE (PTFE)			
		27"		111513-1	
		40"		111513-2	
		48"		111513-3	
		54"		111513-7	
		60"		111529-5	
		72"		111529-6	
16	1	OUTER TUBE (316 STAINLESS STEEL)			
		27"		111515-1	
		40"		111515-2	
		48"		111515-3	
		54"		111515-4	
		60"		111515-5	
		72"		111515-6	
		27" ELECTROPOLISHED (-P OR -B MODELS)		111532-1	
		40" ELECTROPOLISHED (-P OR -B MODELS)		111532-2	
		48" ELECTROPOLISHED (-P OR -B MODELS)		111532-3	
54" ELECTROPOLISHED (-P OR -B MODELS)		111532-4			
17*	1	O-RING, DIFFUSER			
		FKM (STANDARD)		J100132	
		FFKM (-FF MODELS)		111516	
		FDA FFKM (-P MODELS)		107621	
		FDA BUNA (-B MODELS)		108198	
18	1	DIFFUSER			
		316 STAINLESS STEEL		111517	
19*	1	BUSHING, DIFFUSER			
		PTFE (STANDARD)		111518-1	
		FDA PTFE (-P OR -B MODELS)		111518-2	
20*	1	IMPELLER - HIGH FLOW (FOR USE WITH "DIFFUSER COVER - HIGH FLOW")			
		CFF ETFE (STANDARD)	111210-3		N/A
		PURE ETFE (FOR MODELS ENDING IN -P OR -B)	111210-2		N/A

PUMP SPARE PARTS LIST

ITEM	QTY	DESCRIPTION	PART NUMBER	
21*	1	IMPELLER - HIGH HEAD (FOR USE WITH "DIFFUSER COVER - HIGH HEAD")		
		CFF ETFE (STANDARD)	N/A	111211-3
		PURE ETFE (FOR MODELS ENDING IN -P OR -B)	N/A	111211-2
22*	1	DIFFUSER COVER - HIGH FLOW		
		316 STAINLESS STEEL	111519	N/A
23*	1	DIFFUSER COVER - HIGH HEAD		
		316 STAINLESS STEEL	N/A	111520

*Recommended spare parts