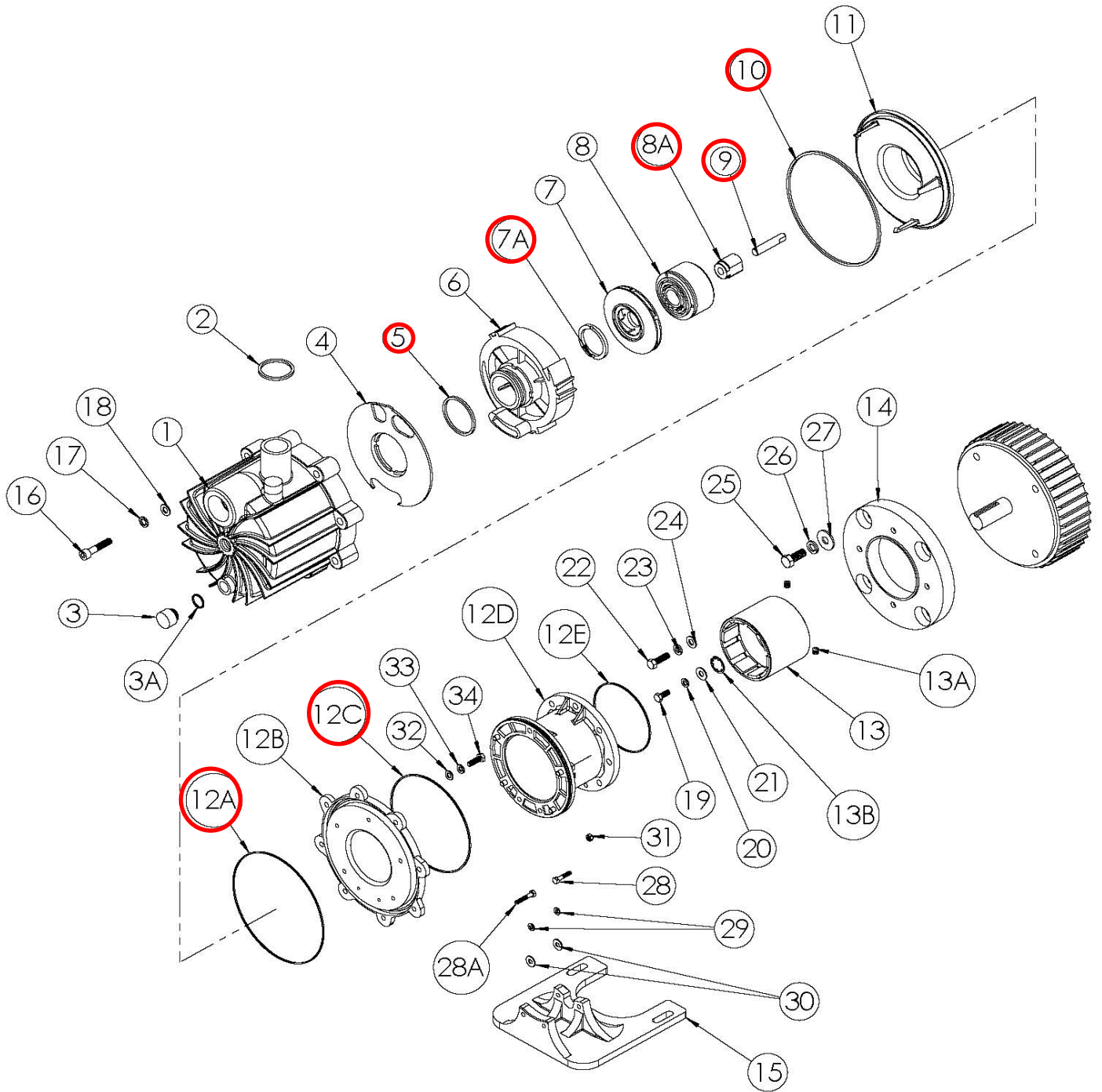


TSP15



SP11/SP15 Spare Parts List

Item	Qty	Description	SP11		SP15	
			Pump Material		Pump Material	
			PP	PVDF	PP	PVDF
1	1	Housing				
		NPT threads	105862	105862-1	105862	105862-1
		BSP threads	105862-2	105862-3	105862-2	105862-3
		Steel flanges - ANSI150/PN20/40/JIS10K	105866	105866-2	105866	105866-2
		FRP flanges - ANSI150/PN20/40/JIS10K	105866-1	105866-3	105866-1	105866-3
		Unions	105867	105867-1	105867	105867-1
2	1	Discharge O-Ring (BSP Threaded Housings Only)				
		EPDM	105918			
		FKM	105919			
3	2	Fill/Drain Plug				
			106143	106143-1	106143	106143-1
3A	2	Fill Plug O-Ring				
		EPDM	106154			
		FKM	106155			
4	1	Separator Plate				
			105863	105863-1	105863	105863-1
5	1	Inner Volute O-Ring				
		EPDM	J103478			
		FKM	J103477			
6	1	Inner Volute (Select For Appropriate Impeller Diameter)				
		#1 impeller (4.63"/SP11, 5.13"/SP15) w/ ceramic ring	105864-2	105864-3	105865-2	105865-3
		#2 impeller (4.38"/SP11, 5.00"/SP15) w/ ceramic ring	105864-4	105864-5	105865-4	105865-5
		#3 impeller (4.13"/SP11, 4.75"/SP15) w/ ceramic ring	105864-6	105864-7	105865-6	105865-7
		#4 impeller (3.88"/SP11, 4.50"/SP15) w/ ceramic ring	105864-8	105864-9	105865-8	105865-9
		#5 impeller (3.63"/SP11, 4.25"/SP15) w/ ceramic ring	105864	105864-1	105865	105865-1
		#6 impeller (5.25"/SP11, 5.50"/SP15) w/ ceramic ring	105864-10	105864-11	105865-10	105865-11
		#7 impeller (5.00"/SP11, 5.25"/SP15) w/ ceramic ring	105864-12	105864-13	105865-12	105865-13
		#8 impeller (4.75"/SP11, 5.00"/SP15) w/ ceramic ring	105864-14	105864-15	105865-4	105865-5
		#9 impeller (4.00"/SP11) w/ ceramic ring	105864-16	105864-17	N/A	N/A
		#10 impeller (4.25"/SP11) w/ ceramic ring	105864-18	105864-19	N/A	N/A
		#1 impeller (4.63"/SP11, 5.13"/SP15) w/ SiC ring	105909-2	105909-3	105910-2	105910-3
		#2 impeller (4.38"/SP11, 5.00"/SP15) w/ SiC ring	105909-4	105909-5	105910-4	105910-5
		#3 impeller (4.13"/SP11, 4.75"/SP15) w/ SiC ring	105909-6	105909-7	105910-6	105910-7
		#4 impeller (3.88"/SP11, 4.50"/SP15) w/ SiC ring	105909-8	105909-9	105910-8	105910-9
		#5 impeller (3.63"/SP11, 4.25"/SP15) w/ SiC ring	105909	105909-1	105910	105910-1
		#6 impeller (5.25"/SP11, 5.50"/SP15) w/ SiC ring	105909-10	105909-11	105910-10	105910-11
		#7 impeller (5.00"/SP11, 5.25"/SP15) w/ SiC ring	105909-12	1015909-13	105910-12	105910-13
		#8 impeller (4.75"/SP11, 5.00"/SP15) w/ SiC ring	105909-14	105909-15	105910-4	105910-5
		#9 impeller (4.00"/SP11) w/ SiC ring	105909-16	105909-17	N/A	N/A
#10 impeller (4.25"/SP11) w/ SiC ring	105909-18	105909-18	N/A	N/A		
7	1	Impeller Assembly (Select Appropriate Impeller Diameter)				
		See SP11/15 Impeller Assemblies Table				
7A	1	Impeller Thrust Ring Only				
		Filled PTFE	105694-1			
		Silicon carbide	105694-3			

SP11/15 Spare Parts List - cont.

Item	Qty	Description	SP11		SP15	
			Pump Material		Pump Material	
			PP	PVDF	PP	PVDF
8	1	Impeller Drive Assembly				
		6-Pole with carbon bushing	105913	105913-3	105913	105913-3
		8-Pole with carbon bushing	105913-1	105913-4	105913-1	105913-4
		10-Pole with carbon bushing	105913-2	105913-5	105913-2	105913-5
		6-Pole with PTFE bushing	105913-6	105913-9	105913-6	105913-9
		8-Pole with PTFE bushing	105913-7	105913-10	105913-7	105913-10
		10-Pole with PTFE bushing	105913-8	105913-11	105913-8	105913-11
		6-Pole with alumina ceramic bushing	105913-12	105913-15	105913-12	105913-15
		8-Pole with alumina ceramic bushing	105913-13	105913-16	105913-13	105913-16
		10-Pole with alumina ceramic bushing	105913-14	105913-17	105913-14	105913-17
		6-Pole with silicon carbide bushing	105913-18	105913-21	105913-18	105913-21
		8-Pole with silicon carbide bushing	105913-19	105913-22	105913-19	105913-22
10-Pole with silicon carbide bushing	105913-20	105913-23	105913-20	105913-23		
8A	1	Impeller Bushing Only				
		Carbon			J100977	
		Filled PTFE			106386	
		Alumina ceramic			106386-2	
		Silicon carbide			106386-1	
9	1	Impeller Shaft				
		Alumina ceramic			105811-1	
		Silicon carbide			105811-2	
		Hastelloy C			105811-3	
10	1	Housing O-Ring				
		EPDM			105717	
		FKM			105716	
11	1	Barrier				
			105689-3	105689-4	105689-3	105689-4
12	1	Motor Adapter Kit (includes items 12A-12E plus hardware)				
		Standard motor adapter - all frame sizes	107405	107406	107405	107406
		Standard motor adapter with non-sparking ring - all frame sizes	107407	107408	107407	107408
		Note: 182/184TC & all IEC frames MAY need to order motor adapter flange (item 14) and hardware (items 22-24 & 25-27)				
12A	1	Barrier/Clamp Ring O-ring				
		Buna			107281	
		FKM			107279	
		EPDM			107280	
12B	1	Clamp Ring				
		Painted cast iron (Standard)	107228	107228-1	107228	107228-1
		Painted cast iron with non-sparking ring	107321	107321-1	107321	107321-1
		Stainless steel	108600	108600	108600	108600
		Stainless steel with non-sparking ring	108600-1	108600-1	108600-1	108600-1
12C	1	Clamp Ring/Motor Adapter Column O-ring				
		Buna			107282	
		FKM			107283	
		EPDM			107284	
12D	1	Motor Adapter Column				
		Standard	106890	106890-1	106890	106890-1

SP11/15 Spare Parts List - cont.

Item	Qty	Description	SP11		SP15	
			Pump Material		Pump Material	
			PP	PVDF	PP	PVDF
12E	1	Motor Adapter column to motor o-ring (NEMA 56C/145TC motors only)				
		Buna			106549	
		FKM			106374	
		EPDM			106373	
13	1	Drive Magnet Assy				
		6-Pole 56C frame - includes set screws and snap ring			105878	
		8-Pole 56C frame - includes set screws and snap ring			105878-1	
		6-Pole 143/145TC frame - includes set screws and snap ring			105878-3	
		8-Pole 143/145TC frame - includes set screws and snap ring			105878-4	
		10-Pole 182/184TC frame - includes set screws and snap ring			105730-9	
		6-Pole 80 frame - includes snap ring			105882	
		8-Pole 80 frame - includes snap ring			105882-1	
		6-Pole 90 frame - includes snap ring			105882-3	
		8-Pole 90 frame - includes snap ring			105882-4	
		10-Pole 100/112 frame- includes snap ring			105730-18	
13A	2	Set Screws- NEMA Motors Only				
					J101084	
13B	1	Snap Ring				
		56C frame			105708	
		143/145TC frame			105709	
		182/184TC frame			105710	
		80 frame			105711	
		90 frame			105712	
		100/112 frame			105710	
14	1	Motor Adapter Flange				
		182/184TC frame	105751-1	105751-2	105751-1	105751-2
		80 frame with B14 flange	105724-1	105724-2	105724-1	105724-2
		90 frame with B14 flange	105725-1	105725-2	105725-1	105725-2
		100/112 frame with B14 flange	105726-1	105726-2	105726-1	105726-2
		80/90 frame with B5 flange	106274	106274-1	106274	106274-1
		100/112 frame with B5 flange	107315	107315-1	107315	107315-1
15	1	Foot (100/112 frame pumps with B5 flange do not include a pump foot)				
		All frames sizes except 100/112	105691-1	105691-4	105691-1	105691-4
		100 frame with B14 flange	105691-3	105691-6	105691-3	105691-6
		112 frame with B14 flange	105691-2	105691-5	105691-2	105691-5

Hardware - All SP11/15 Models

Item	Qty	Description	Stainless Steel	Titanium
16	8	Housing bolt		
			106210	106211
17	8	Housing Lock Washer		
			105757	105758
18	8	Housing Flat Washer		
			105722	105773
19	1	Drive Bolt- IEC Motors Only		
		80 frame IEC	107289	N/A
		90 frame IEC	J103662	N/A
		100/112 frame IEC	108582	N/A
20	1	Drive Lockwasher (IEC frames only)		
		80 frame IEC	J100672	N/A
		90 frame IEC	J102282	N/A
		100/112 frame IEC	J100115	N/A
21	1	Drive Flatwasher (IEC frames only)		
		80 frame IEC	210292	N/A
		90 frame IEC	210294	N/A
		100/112 frame IEC	108580	N/A
22	4	Motor Adapter Bolts		
		All frames except 100/112 B5	J103118	105752
		100/112 B5 frames only	J100114	106311
23	4	Motor Adapter Lockwasher		
			J100115	J104206
24	4	Motor Adapter Flatwasher		
			J100128	J104207
25*	4	Motor Adapter Flange Bolts		
		182/184 Frame	J103782	105761
		80 Frame B14 IEC	105765	105764
		90 Frame B14 IEC	105770	105771
		100/112 Frame B14 IEC	105770	105771
26*	4	Lockwasher- Motor Adapter Flange		
		182/184 Frame	J101023	105762
		80 Frame B14 IEC	J100672	J104203
		90 Frame B14 IEC	J102282	J103847
		100/112 Frame B14 IEC	J102282	J103847
27*	4	Flatwasher- Motor Adapter Flange		
		182/184 Frame	J103851	105763
		80 Frame B14 IEC	J100113	J104204
		90 Frame B14 IEC	J101293	J103845
		100/112 Frame B14 IEC	J101293	J103845
28	2	Rear Foot Bolt		
			J103968	107288
28A	2	Front Foot Bolt		
			107289	107290
29	4	Foot Lockwasher		
			J100672	J104203
30	4	Foot Flatwasher		
			J100113	J104204
31	2	Nut- Rear Foot Bolt		
			107286	107287
32	5	Clamp Ring Flatwasher		
			J101293	105768

Hardware - cont.				
Item	Qty	Description	Stainless Steel	Titanium
33	5	Clamp Ring Lockwasher		
			J102282	J103847
34	5	Clamp Ring Bolt		
			J103662	107285

*For IEC B5 frame pumps: Hardware is to be supplied by customer due to variations in B5 frame motors.

SP11/15 Impeller Assemblies													
SP11	Thrust Ring	Impeller Material	#1	#2	#3	#4	#5	#6	#7	#8	#9	#10	
			4.63"	4.38"	4.13"	3.88"	3.63"	5.25"	5.00"	4.75"	4.50"	4.25"	
	PTFE	Polypro	105911	105911-4	105911-6	105911-8	105911-10	105911-2	105911-14	105911-16	105911-18	105911-20	
		PVDF	105911-1	105911-5	105911-7	105911-9	105911-11	105911-3	105911-15	105911-17	105911-19	105911-21	
	SiC	Polypro	105915	105915-4	105915-6	105915-8	105915-10	105915-2	105915-14	105915-16	105915-18	105915-20	
		PVDF	105911-1	105915-5	105915-7	105915-9	105915-11	105915-3	105915-15	105915-17	105915-19	105915-21	
	SP15	Thrust Ring	Impeller Material	#1	#2	#3	#4	#5	#6	#7	#8	-	-
				5.13"	5.00"	4.75"	4.50"	4.25"	5.50"	5.25"	5.00"	-	-
PTFE		Polypro	105911-12	105916	105916-4	105916-6	105916-8	105916-10	105916-12	105916-14	-	-	
		PVDF	105911-13	105916-2	105916-5	105916-7	105916-9	105916-1	105916-13	105916-15	-	-	
SiC		Polypro	105915-12	105917	105917-4	105917-6	105917-8	105917-10	105917-12	105917-14	-	-	
		PVDF	105915-13	105917-2	105917-5	105917-7	105917-9	105917-1	105917-13	105917-15	-	-	